

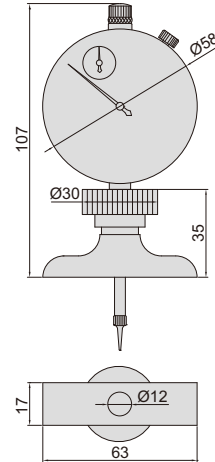
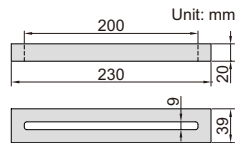
# DIAL DEPTH GAGES



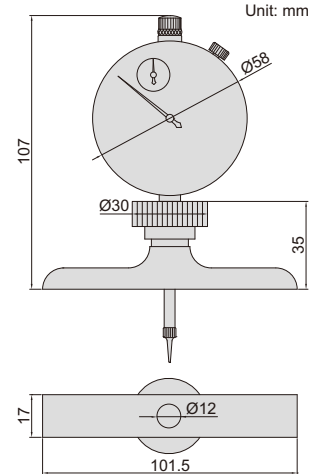
2342-202



2141-10 (optional),  
can be customized  
according to workpieces

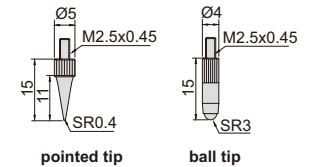


2342-201



2342-202

Unit: mm

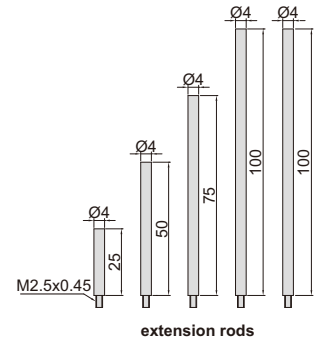
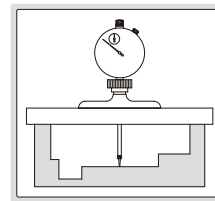


pointed tip

ball tip

- Dial indicator graduation: 0.01mm
- Accuracy:  $\pm 0.03$ mm
- Stainless steel base
- Extension rods: 25mm (1 pc), 50mm (1 pc), 75mm (1 pc), 100mm (2 pcs)
- Supplied with pointed tip and ball tip
- Optional accessory: granite extension holder (code 2141-10)

application



extension rods

Code	Range	Dial indicator stroke	Base
2342-201	0-300mm	30mm	63x17mm
2342-202	0-300mm	30mm	101.5x17mm